

CEN-U05 CEN-U06 CEN-U07 NPN
 CEN-U55 CEN-U56 CEN-U57 PNP

**COMPLEMENTARY SILICON
 POWER TRANSISTORS**



TO-202 CASE



www.centralemi.com

DESCRIPTION:

The CENTRAL SEMICONDUCTOR CEN-U05/U55 series types are complementary silicon power transistors designed for general purpose audio amplifier applications. These devices are electrically equivalent to National Semiconductor's NSDU05, NSDU06, NSDU07, NSDU55, NSDU56, and NSDU57.

MARKING: FULL PART NUMBER

APPLICATIONS:

- Designed for general purpose high voltage amplifiers and drivers

FEATURES:

- High Collector-Emitter breakdown voltage
- High 10W power dissipation

MAXIMUM RATINGS: ($T_C=25^\circ\text{C}$)

Collector-Base Voltage
 Collector-Emitter Voltage
 Emitter-Base Voltage
 Continuous Collector Current
 Power Dissipation
 Power Dissipation ($T_A=25^\circ\text{C}$)
 Operating and Storage Junction Temperature
 Thermal Resistance
 Thermal Resistance

SYMBOL	CEN-U05	CEN-U06	CEN-U07	UNITS
	CEN-U55	CEN-U56	CEN-U57	
V_{CB0}	60	80	100	V
V_{CEO}	60	80	100	V
V_{EBO}		4.0		V
I_C		2.0		A
P_D		10		W
P_D		1.75		W
T_J, T_{stg}		-65 to +150		$^\circ\text{C}$
θ_{JA}		71.4		$^\circ\text{C/W}$
θ_{JC}		12.5		$^\circ\text{C/W}$

ELECTRICAL CHARACTERISTICS: ($T_C=25^\circ\text{C}$ unless otherwise noted)

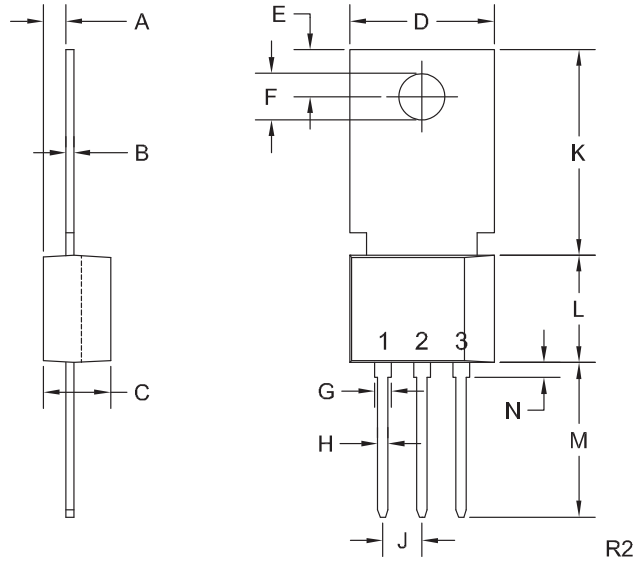
SYMBOL	TEST CONDITIONS	MIN	MAX	UNITS
I_{CBO}	$V_{CB}=\text{Rated } V_{CB0}$		0.1	μA
I_{EBO}	$V_{EB}=4.0\text{V}$		100	μA
BV_{CEO}	$I_C=1.0\text{mA}$ (CEN-U05, CEN-U55)	60		V
BV_{CEO}	$I_C=1.0\text{mA}$ (CEN-U06, CEN-U56)	80		V
BV_{CEO}	$I_C=1.0\text{mA}$ (CEN-U07, CEN-U57)	100		V
$V_{CE(SAT)}$	$I_C=250\text{mA}, I_B=10\text{mA}$		0.5	V
$V_{CE(SAT)}$	$I_C=250\text{mA}, I_B=25\text{mA}$		0.35	V
$V_{BE(ON)}$	$V_{CE}=1.0\text{V}, I_C=250\text{mA}$		1.2	V
h_{FE}	$V_{CE}=1.0\text{V}, I_C=50\text{mA}$	80		
h_{FE}	$V_{CE}=1.0\text{V}, I_C=250\text{mA}$	50		
h_{FE}	$V_{CE}=1.0\text{V}, I_C=500\text{mA}$	20		
f_T	$V_{CE}=5.0\text{V}, I_C=200\text{mA}, f=100\text{MHz}$	50		MHz
C_{ob}	$V_{CB}=10\text{V}, I_E=0, f=1.0\text{MHz}$		30	pF

CEN-U05 CEN-U06 CEN-U07 NPN
 CEN-U55 CEN-U56 CEN-U57 PNP



**COMPLEMENTARY SILICON
 POWER TRANSISTORS**

TO-202 CASE - MECHANICAL OUTLINE



LEAD CODE:

- 1) Emitter
 - 2) Base
 - 3) Collector
- Tab is common to pin 3

MARKING:

FULL PART NUMBER

SYMBOL	INCHES		MILLIMETERS	
	MIN	MAX	MIN	MAX
A	0.055	0.071	1.40	1.80
B	0.016	0.024	0.40	0.60
C	0.173	0.181	4.40	4.60
D	0.374	0.413	9.50	10.5
E	0.118	0.154	3.00	3.90
F (DIA)	0.124	0.150	3.15	3.80
G	0.035	0.055	0.90	1.40
H	0.023	0.031	0.59	0.80
J	0.094	0.106	2.39	2.69
K	0.459	0.559	11.66	14.21
L	0.280	0.346	7.12	8.80
M	0.406	0.531	10.3	13.5
N	0.024	0.059	0.60	1.50

TO-202 (REV: R2)

R2 (20-January 2012)

OUTSTANDING SUPPORT AND SUPERIOR SERVICES



PRODUCT SUPPORT

Central's operations team provides the highest level of support to insure product is delivered on-time.

- Supply management (Customer portals)
- Inventory bonding
- Consolidated shipping options
- Custom bar coding for shipments
- Custom product packing

DESIGNER SUPPORT/SERVICES

Central's applications engineering team is ready to discuss your design challenges. Just ask.

- Free quick ship samples (2nd day air)
- Online technical data and parametric search
- SPICE models
- Custom electrical curves
- Environmental regulation compliance
- Customer specific screening
- Up-screening capabilities
- Special wafer diffusions
- PbSn plating options
- Package details
- Application notes
- Application and design sample kits
- Custom product and package development

CONTACT US

Corporate Headquarters & Customer Support Team

Central Semiconductor Corp.
145 Adams Avenue
Hauppauge, NY 11788 USA
Main Tel: (631) 435-1110
Main Fax: (631) 435-1824
Support Team Fax: (631) 435-3388
www.centalsemi.com

Worldwide Field Representatives:
www.centalsemi.com/wwreps

Worldwide Distributors:
www.centalsemi.com/wwdistributors

For the latest version of Central Semiconductor's **LIMITATIONS AND DAMAGES DISCLAIMER**, which is part of Central's Standard Terms and Conditions of sale, visit: www.centalsemi.com/terms